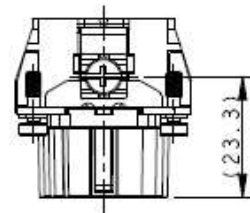
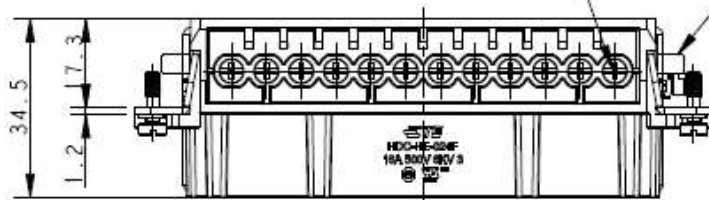
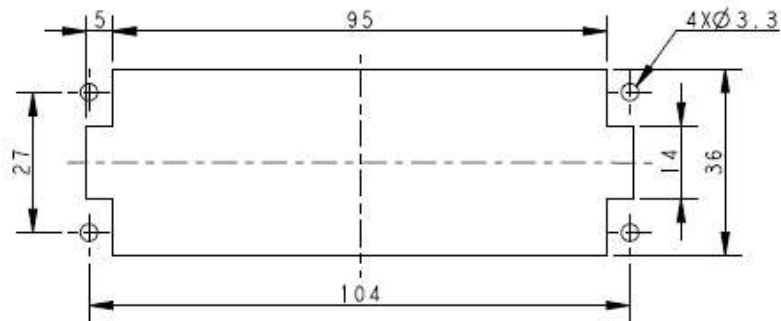
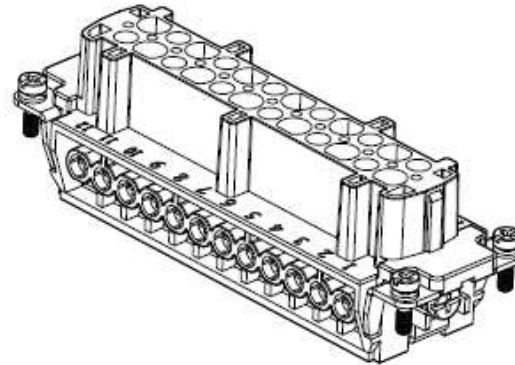
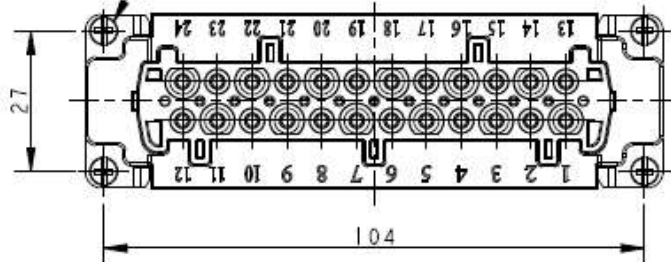


24X M3 SCREW, RECOMMENDED
TIGHTENING TORQUE 0.5Nm

M4 SCREW, RECOMMENDED
TIGHTENING TORQUE 1.2Nm



4X M3 SCREW, RECOMMENDED
TIGHTENING TORQUE 0.5Nm



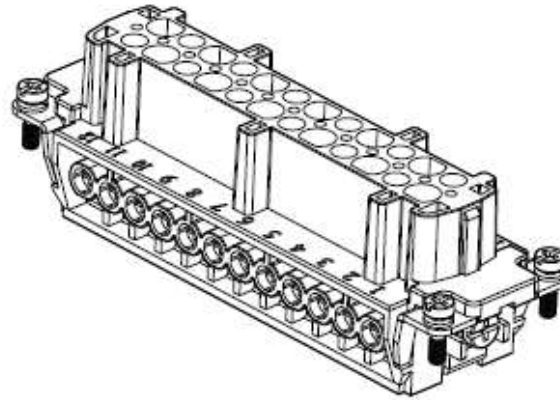
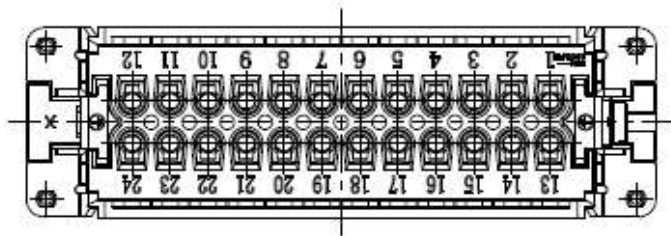
PANEL CUT FOR INSERTS FOR USE
WITHOUT HOODS/ HOUSINGS

TYPE 1, T2040242201-000, WITH LOGO

NOTES:

1. TECHNICAL CHARACTERISTICS:

- INSULATION MATERIAL: PC
- RATED VOLTAGE: 500V
- RATED CURRENT: 16A
- INSULATION RESISTANCE: $\geq 400M\Omega$
- RATED IMPULSE VOLTAGE: 6KV
- POLLUTION DEGREE: 3
- FLAMMABILITY: UL94V-0
- MATING CYCLES: 500 CYCLES
- WIRE RANGE: $0.5mm^2 \sim 2.5mm^2$ (AWG20-AWG14)
- CONTACT TYPE: SCREW CLAMP (M3)



NOTE:
ALL SPEC REFER TO TYPE 1

TYPE 2, T2040242201-001, WITHOUT LOGO

